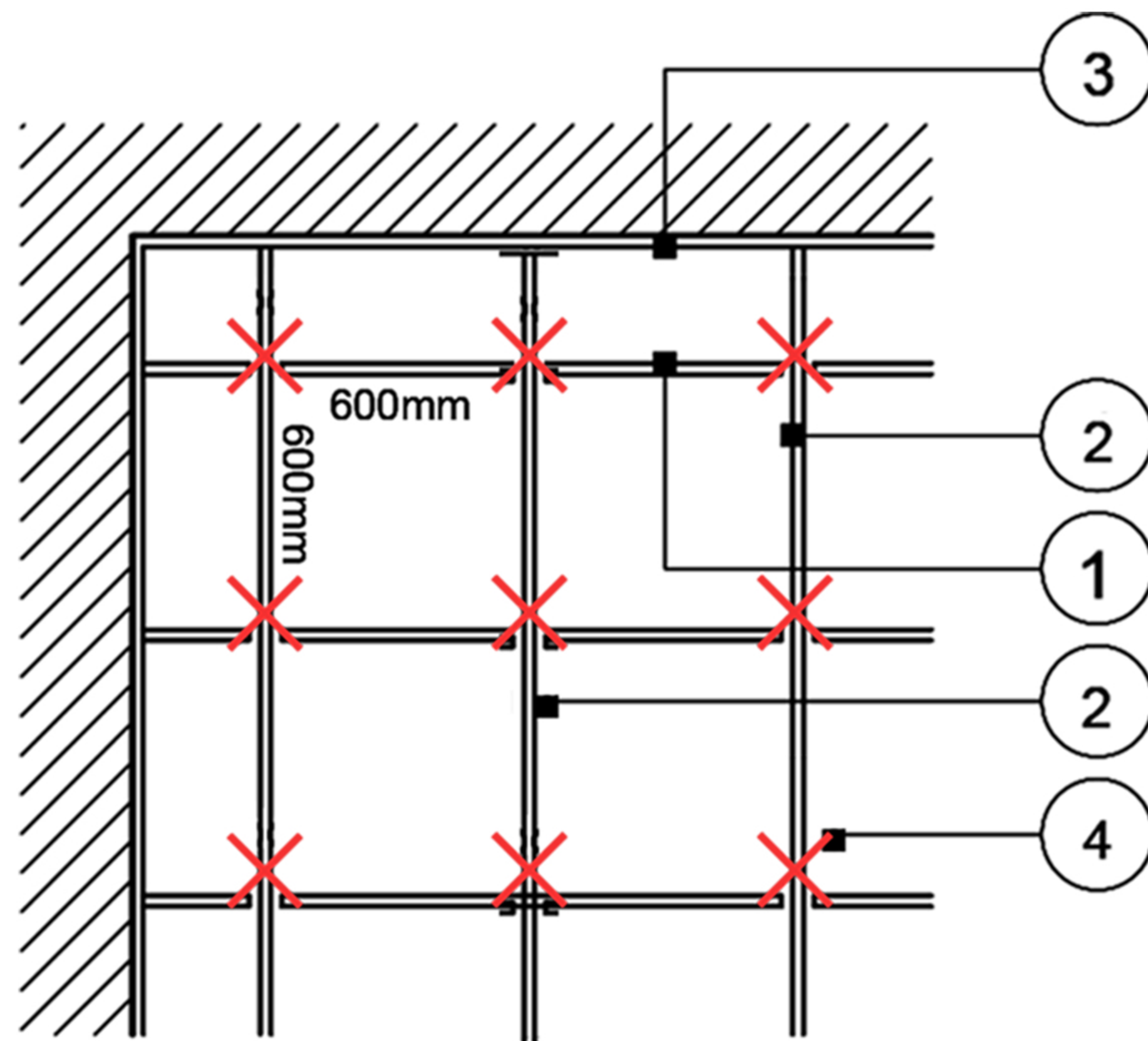
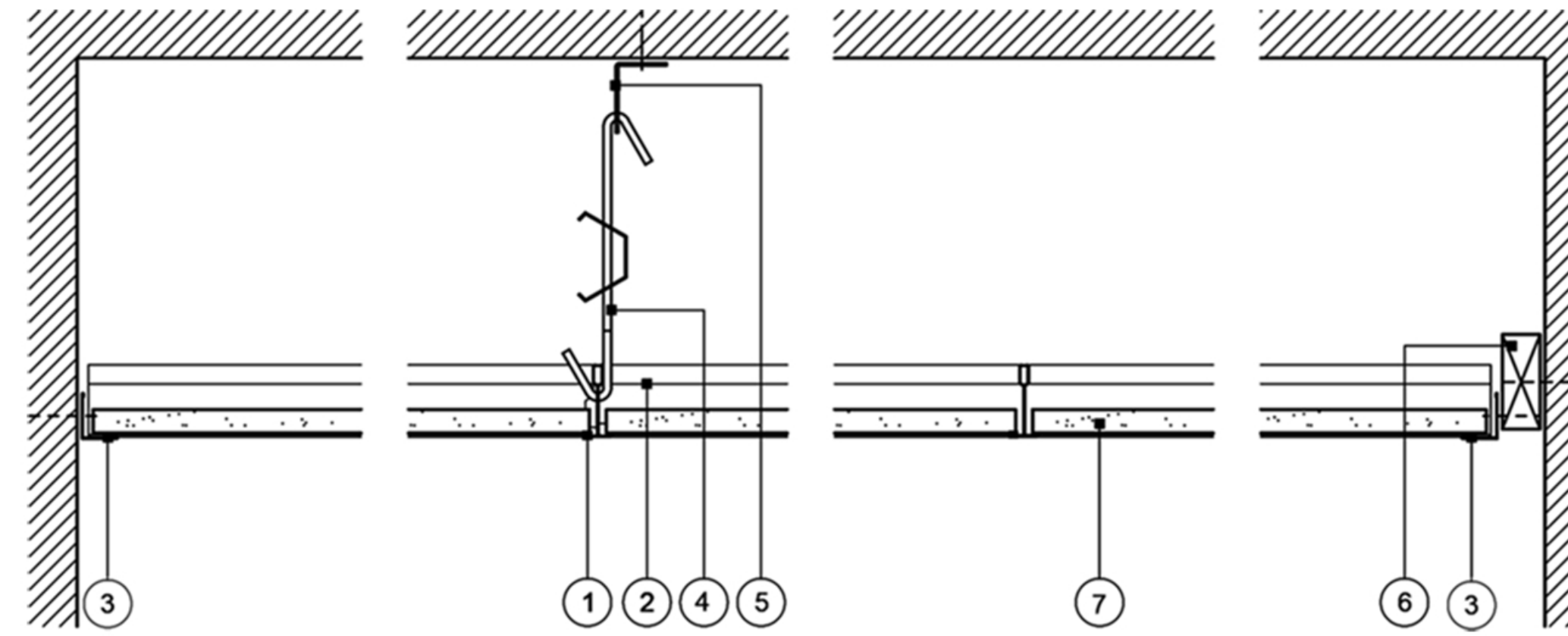
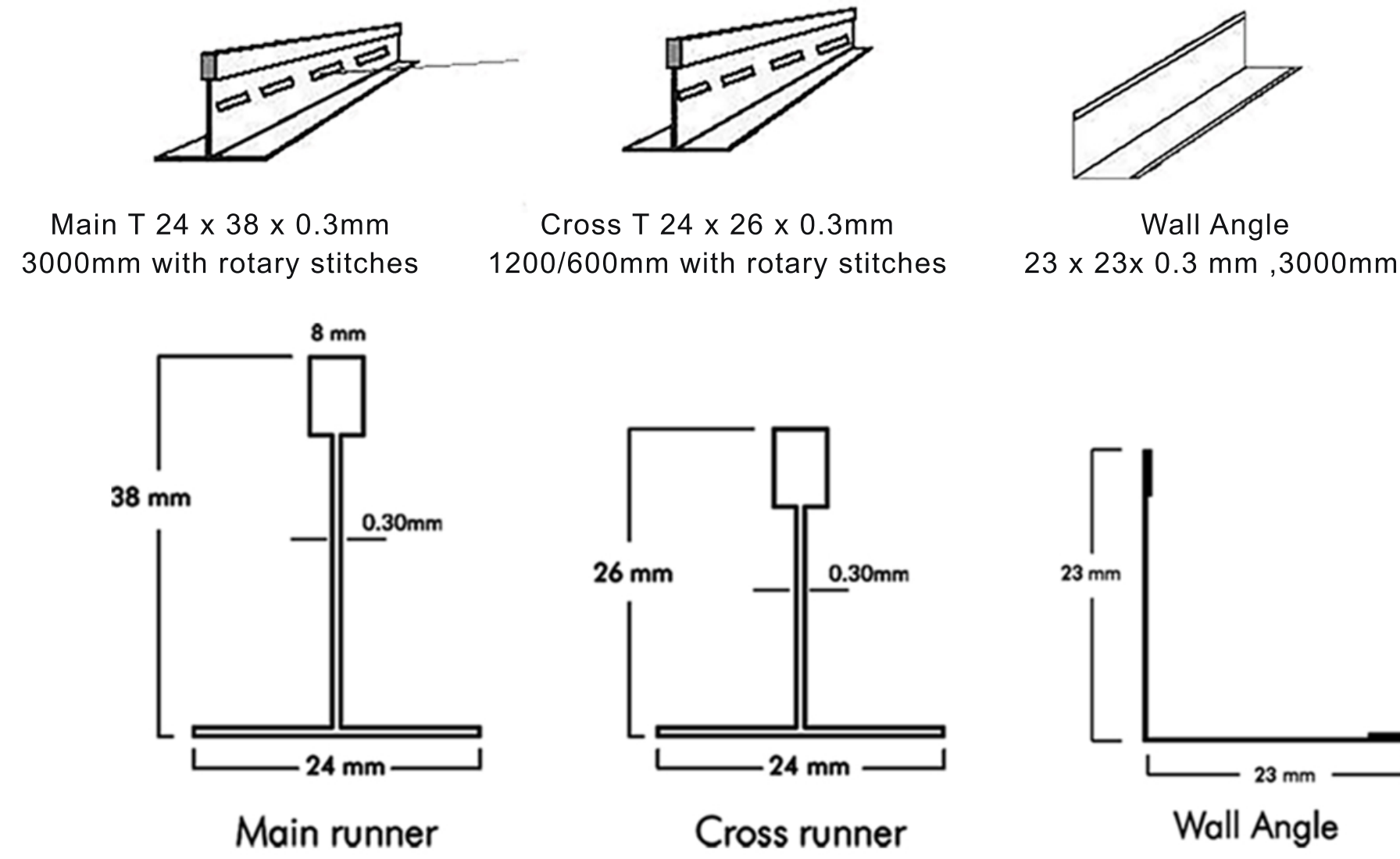
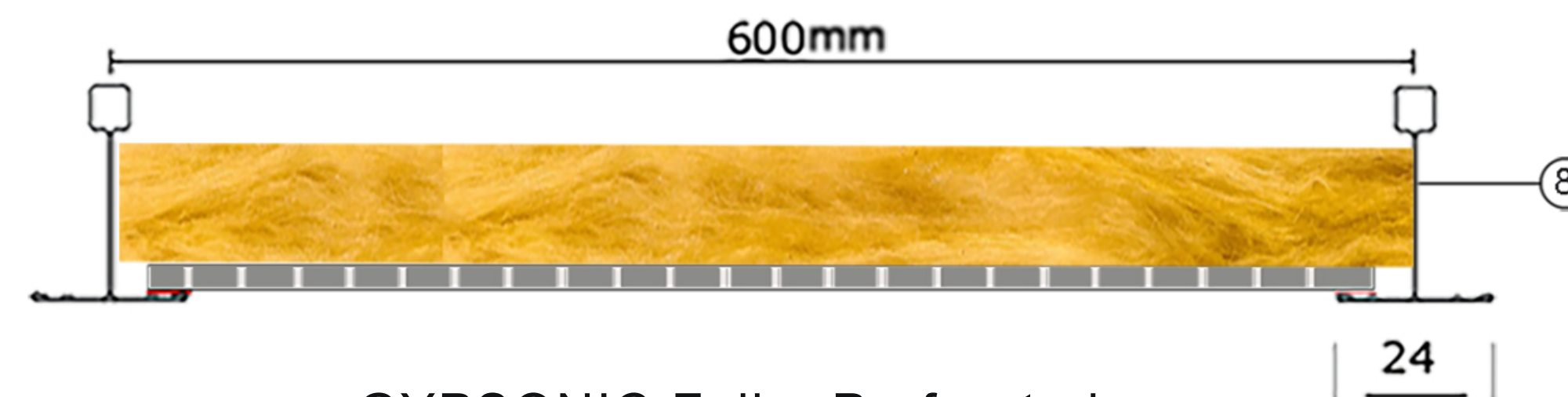


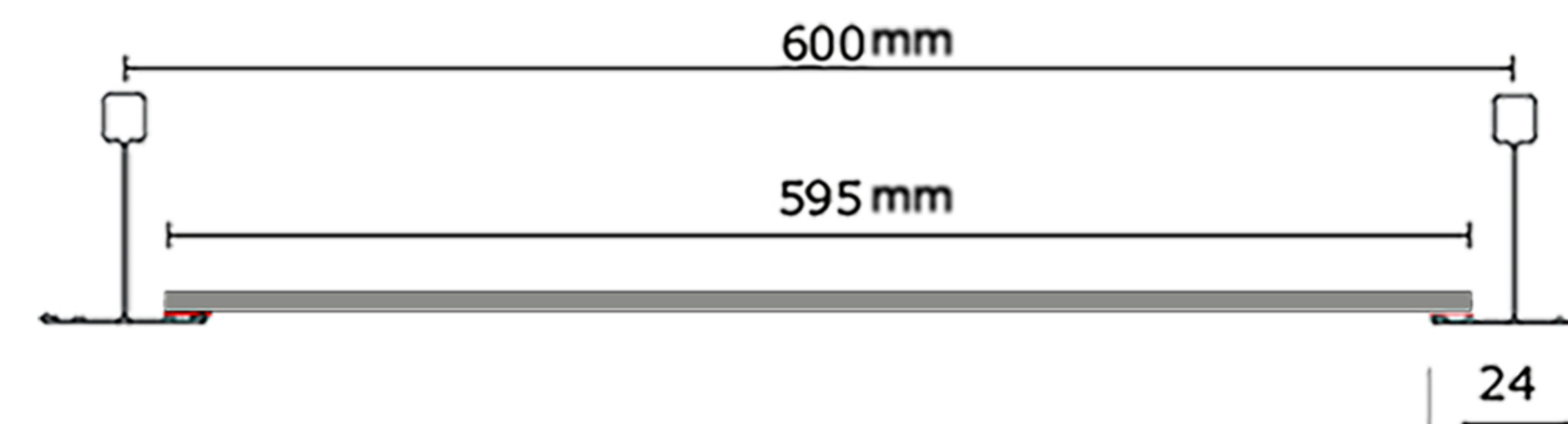
GYPSONIC GRG False Ceiling Tiles & T-Grid Suspension System



Ceiling Plan For T-Grid Suspension System



GYPSONIC Fully- Perforated Acoustic Tiles 12mm



GYPSONIC Semi- Perforated Acoustic Tiles 10mm

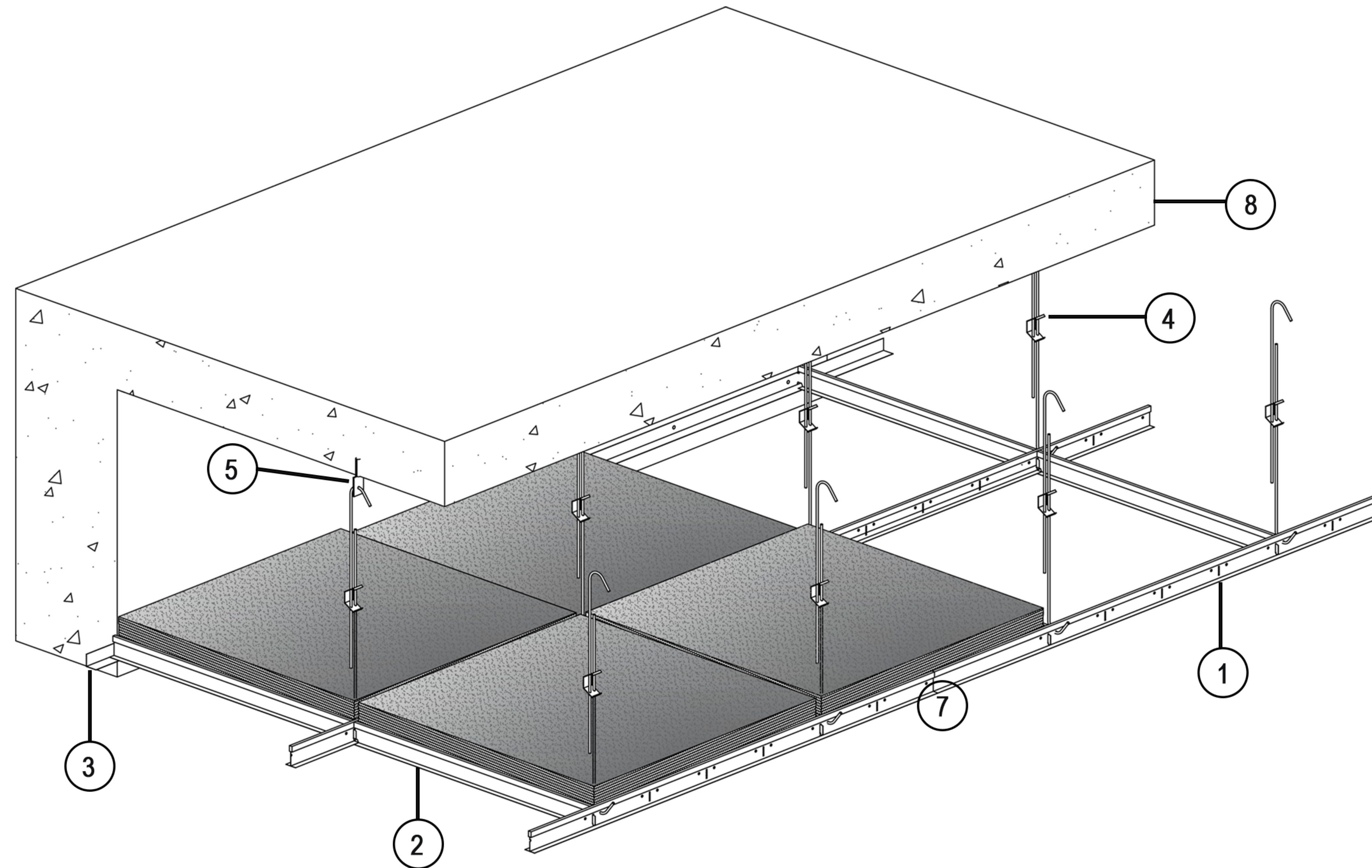
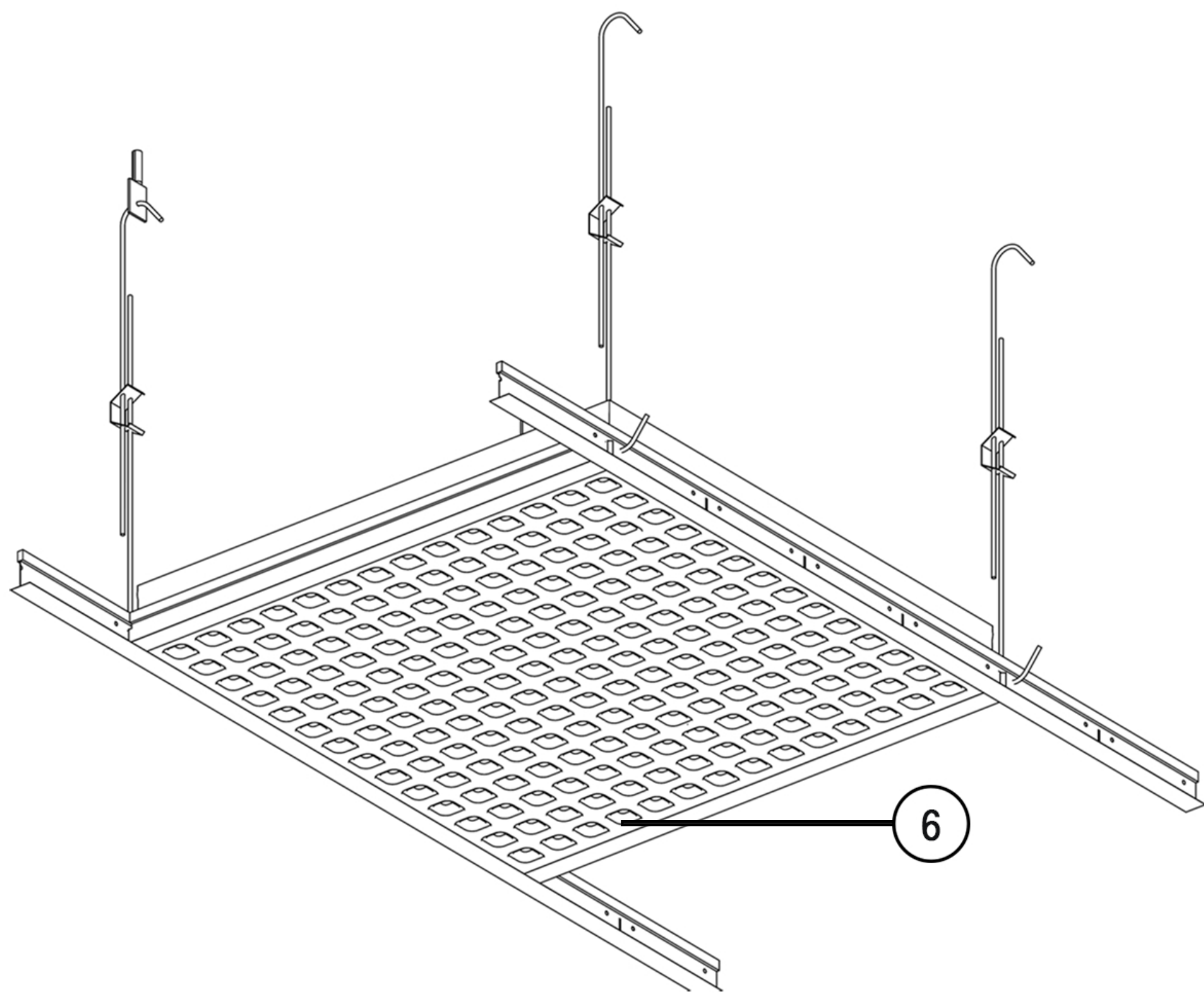
Specifications of Components

- 1). Cross T-Grid 600mm Length
- 2). Main T-Grid 3000mm Length
- 3). Wall Angle 3000mm Length
- 4). Quick Lock Grid Hanger 80x30x0.6mm
- 5). Soffit Cleat
- 6). Timber batten Suitable Fixed to wall
- 7). GYPSONIC GRG Acoustic Tiles
- 8). Mineral-Wool Density: 24,48 Thickness 50mm

Notes.

- 1). GYPSONIC GRG Acoustic Tiles are made of GlassFiber Reinforced Gypsum.
- 2). All the framing materials grids are Powder-coated GI(Galvanized Iron)..
- 3) Glasswool, Rockwool, Polywool are used as Mineral-wool.

GYPSONIC GRG False Ceiling Tiles & T-Grid Suspension System



Specifications of Components

- 1). Cross T-Grid 600mm Length
- 2). Main T-Grid 3000mm Length
- 3). Wall Angle 3000mm Length
- 4). Quick Lock Grid Hanger 80x30x0.6mm
- 5). Soffit Cleat
- 6). GYPSONIC GRG Acoustic Tile
- 7). Mineral-Wool Density: 24,48 Thickness 50mm

GRG False Ceiling T-Grid Frame Installation Guidelines

- In new construction, plan the ceiling layout to provide equal margins at the perimeter.
- Centre the ceiling both ways, making sure the centre lines are at right angles.
- Fix the wall angle trim to the perimeter walls at the correct height set by the level line. Mitre the wall angle trim around piers and columns
- Hang Main-T Grid 24 x 38 x 0.3mm, 3000mm long at 600mm spacing with suspension clips ensuring that the clips firmly engage the runner head
- Lay Cross-T Grid 24 x 26 x 0.3mm at 600mm spacing between Main-T to form Grid module of 600mm x 600mm
- After installing the suspension components, fix the light fittings, air registers and bind boxes. Ensure that all fixings are safely in place.
- Lay in Glasswool on prepared grid module
- Lay in GYPSONIC GRG Acoustic ceiling tiles of size of 595mm x 595mm in grid of 600mm x 600mm